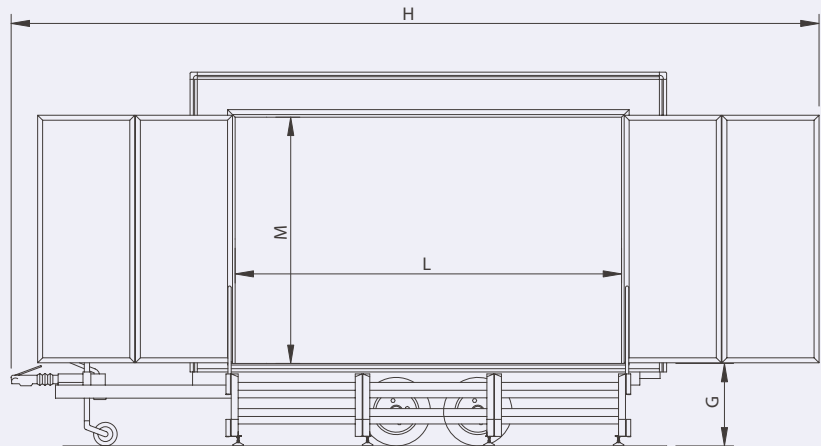
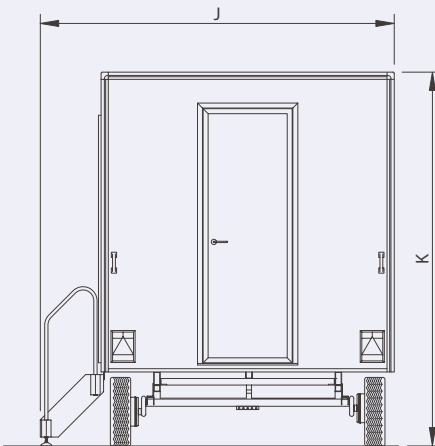
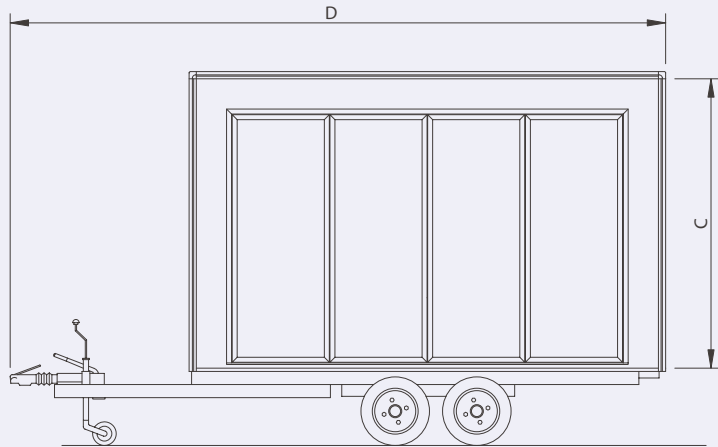
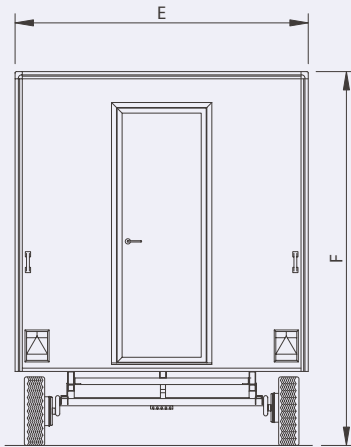
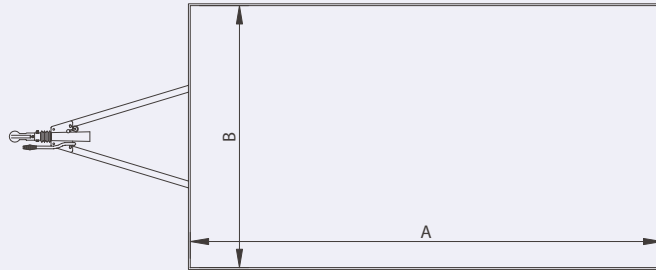


Optional Extras:

- Display Wing Panels (pair)
- Aerodynamic nose cone
- 240v electric pack
- PVC skirting (per mt)
- Nyloop Display boards (per sq mt)
- Carpet Tiles (per linear mt)
- Double base unit (1200mm)
- Day Seat (1200mm)
- Flag Pole and Bracket (2mt)
- Flag Pole and Bracket (6mt)
- Sink c/w hand pump, clean and waste water carriers
- Slide out generator compartment
- 2 burner hob c/w gas bottle compartment and regulator
- Gas water heater c/w regulator and electric pump
- Slide out personnel step
- Petrol generator 2.2kw (c/w hook up lead)
- Window(s)

Dimensions and Measurements



		REF	3.6 x 2.2M	4.2 x 2.2M	4.8 x 2.2M	5.5 x 2.2M
UNIT CLOSED	INTERNAL LENGTH	A	3600mm	4200mm	4800mm	5500mm
UNIT CLOSED	INTERNAL WIDTH	B	2200mm	2200mm	2200mm	2200mm
UNIT CLOSED	INTERNAL HEIGHT	C	2200mm	2200mm	2200mm	2200mm
UNIT CLOSED	OVERALL LENGTH	D	5004mm	5604mm	6204mm	6904mm
UNIT CLOSED	OVERALL WIDTH	E	2238mm	2238mm	2238mm	2238mm
UNIT CLOSED	OVERALL HEIGHT	F	2854mm	2854mm	2854mm	2854mm
UNIT CLOSED	FLOOR HEIGHT	G	600mm	600mm	600mm	600mm
UNIT OPEN	OVERALL LENGTH	H	6168mm	7166mm	7638mm	7718mm
UNIT OPEN	OVERALL WIDTH	J	2702mm	2702mm	2702mm	2702mm
UNIT OPEN	OVERALL HEIGHT	K	2854mm	2854mm	2854mm	2854mm
UNIT OPEN	FLAP WIDTH	L	2950mm	2950mm	2950mm	2950mm
UNIT OPEN	FLAP HEIGHT	M	1880mm	1880mm	1880mm	1880mm